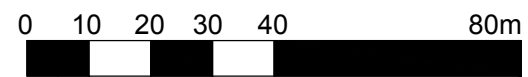
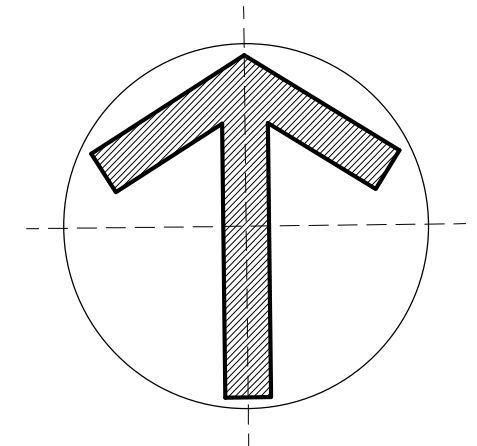


ORDNANCE SURVEY PLAN
 scale 1:1250



SCALE 1:1250
 WHEN PRINTED ON A3 SIZE PAPER



HOME AND OFFICE

CHARTERED ARCHITECTS - PLANNERS

STUDIO: 39 FORESTDALE, SOUTHGATE, LONDON N14 7DY
 T:07561 10080 F:020 8351 0026 Em: interarchitect@me.com

ARCHITECT:

MICHAEL HAPESHIS
 BA(Hon's), DipArch(Hon's), RIBA, ARB, ETEK

STRUCTURAL ENGINEER

BUILDING SERVICES ENGINEER:

QUANTITY SURVEYOR:

DRAWING TITLE **ORDNANCE SURVEY PLAN**

PROJECT TITLE / CLIENT
PROPOSED CONVERSION OF EXISTING WINDOW TO DOOR WITH FIXED SIDE GLAZING AT 311, EAST BLOCK COUNTY HALL, FORUM MAGNUM SQ. LONDON SE1 7GN

CLIENT:
LIZ BOSSLEY, Ms

Job No:		DRAWING NO	
10=1		OS-PLAN	
Scale	DATE	A	
1:1250	25.07.2019	DRAWN	CHECKED
		MPH	M.HAPESHIS